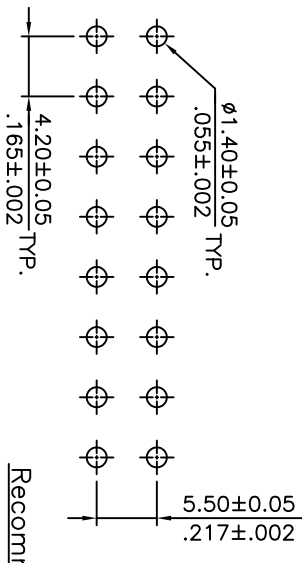
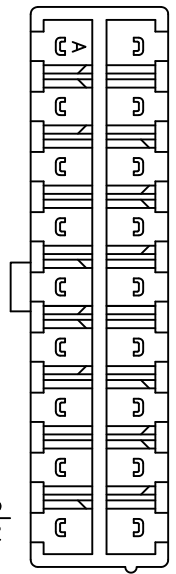
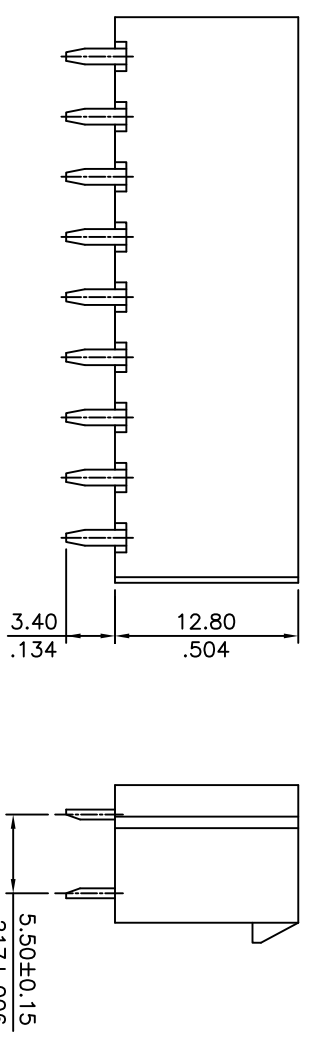
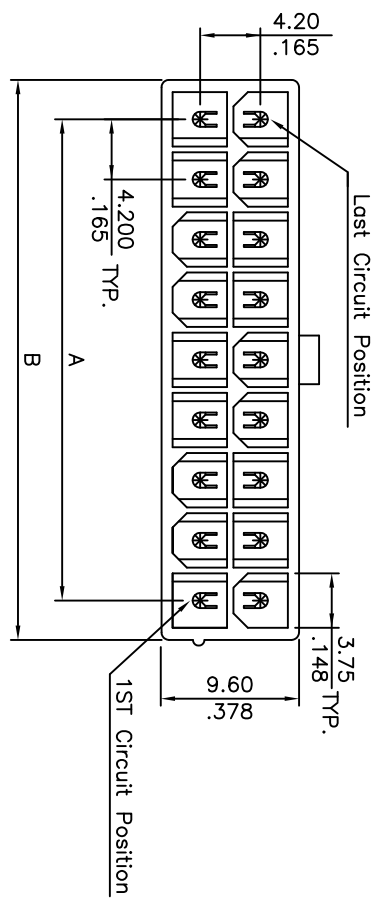


REV.	ECN NO.	LOCATIONS	DESCRIPTION	DATE	CHANGER



A = 4.2 \* No. of Spaces  
 B = A + 5.5

Recommended P.C. Board Layout

Material:  
 \* Insulation: Nylon 66 , Color Nature  
 \* Contact: Brass

Ordering Code:

TP425WV - X X X X  
 ① Series No.  
 ② No. of Circuits  
 ③ Plating Code:  
 T = Tin over Nickel

④ Variation:  
 1 = UL 94V-2, Without mounting pegs  
 3 = UL 94V-0, Without mounting pegs

GENERAL TOLERANCE		鉅創科技有限公司	
X±	X*± 1°	TRONTEK TECHNOLOGY CO., LTD.	
.X± 0.30	.X*±	TITLE: POWER CONNECTOR STRAIGHT	
.XX± 0.20	.XX*±	PART NO: TP425-XXXXX	
XXX± 0.10	XXX*±	DRAWN: Emily	
CUSTOMER DRAWING		SCALE: 1:1	
APPROVED	CHECKED:	DWG. NO: 20111204	
Tony	Tony	SHEET: 1 / 1	
		A	