

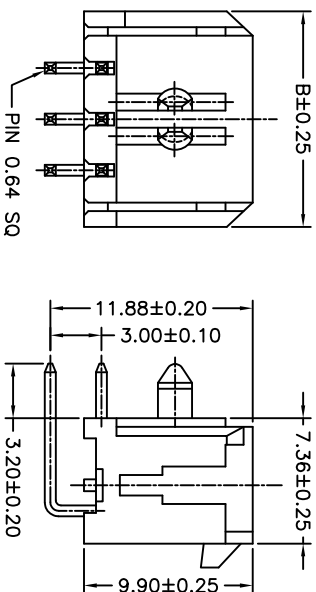
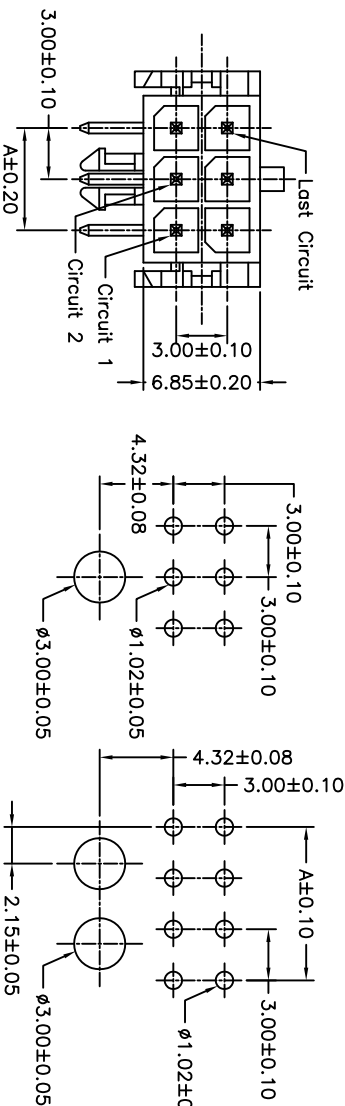
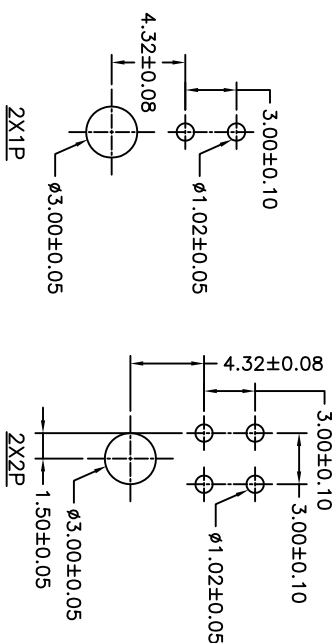
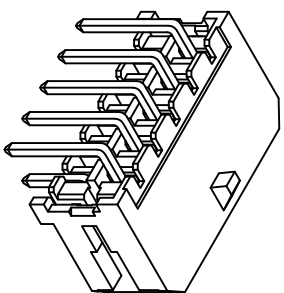
| REV/ECN NO. | LOCATIONS. | DESCRIPTION | DATE | CHANGER |
|-------------|------------|-------------|------|---------|
|             |            |             |      |         |

### Ordering Code:

TS303WR-F-X X X X

① ② ③ ④

- ① Series No.
- ② No. of Circuits
- ③ Plating Code:  
T = Brass, Tin-Plated
- ④ Packing : 0 = standard



### P.C.B LAYOUT

### SPECIFICATIONS

Current Rating: 5A AC,DC  
Voltage Rating: 250V AC,DC  
Temperature Range: -25°C ~ +85°C  
Contact Resistance: 10mΩ Max  
Insulation Resistance: 1000MΩ Min  
Withstanding Voltage: 1500V AC/minute  
Pin Material: Brass/Tin-plated  
Material: PBT50%GF,UL94V-0  
Color: Natural(Black)

### Ordering Information & Dimensions

| PART NO. | Dimensions |       |
|----------|------------|-------|
|          | A          | B     |
| 2P       | ---        | 6.65  |
| 4P       | 3.00       | 9.65  |
| 6P       | 6.00       | 12.65 |
| 8P       | 9.00       | 15.65 |
| 10P      | 12.00      | 18.65 |
| 12P      | 15.00      | 21.65 |
| 14P      | 18.00      | 24.65 |
| 16P      | 21.00      | 27.65 |
| 18P      | 24.00      | 30.65 |
| 20P      | 27.00      | 33.65 |
| 22P      | 30.00      | 36.65 |
| 24P      | 33.00      | 39.65 |

鉅創科技有限公司  
TRONTEK TECHNOLOGY CO., LTD.

TITLE: 3.0mm PITCH R/A WAFER, MICRO-FIT

| GENERAL TOLERANCE |       |
|-------------------|-------|
| X± 0.30           | X± 1° |
| X± 0.25           | X°±   |
| XX± 0.20          | XX°±  |
| XXX± 0.15         | XXX°± |

PART NO. TS303WR-F-XXXX

DWG. NO. 20120413

APPROVED ALAN

CHECKED: ALAN

DRAWN: EMILY

SCALE: 1:1 SHEET: A