

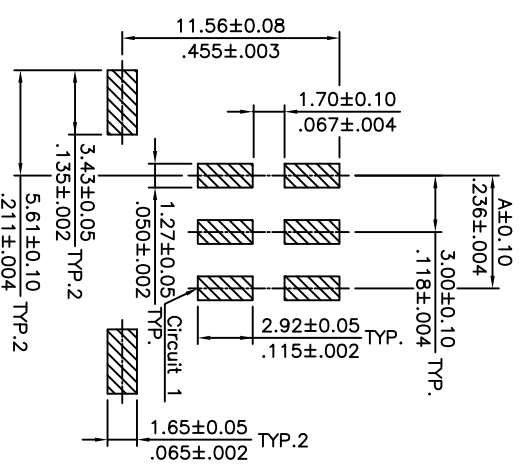
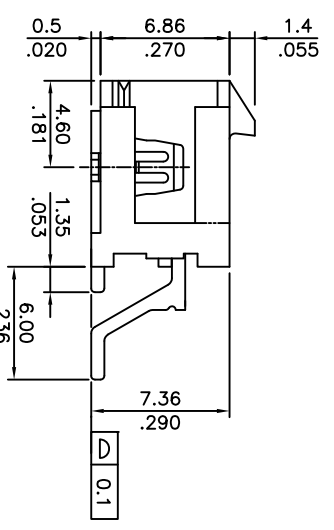
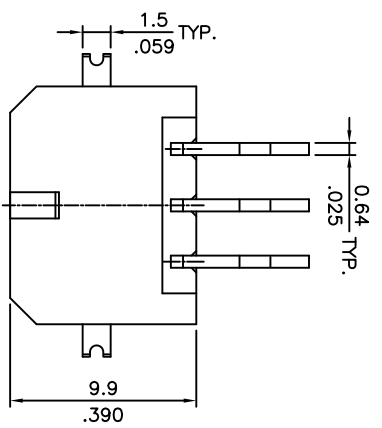
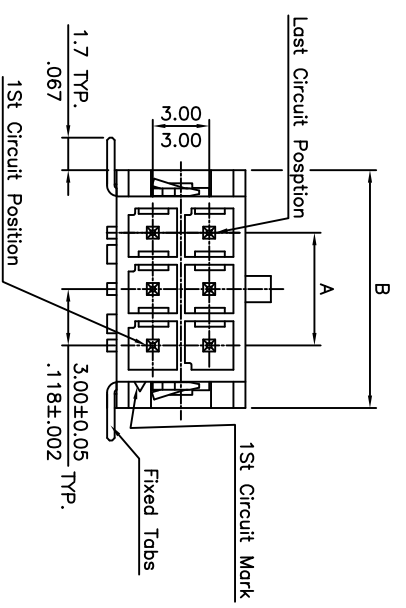
REV.	ECN NO.	LOCATIONS.	DESCRIPTION	DATE	CHANGER

Material:
 * Insulation: LCP, UL 94V-0
 Color Black
 * Contact: Brass

Ordering Code:

TS312WR -S -X X X X
 ① Series No.
 ② No. of Circuits
 ③ Plating Code:
 T = Tin Plated over Nickel
 ④ Other options: 0 = (Standard)

① Series No.
 ② No. of Circuits
 ③ Plating Code:
 T = Tin Plated over Nickel
 ④ Other options: 0 = (Standard)



Recommended P.C. Board Layout

Circuits	Dimension	
	A	B
2	-	6.700
4	3.000	9.700
6	6.000	12.700
8	9.000	15.700
10	12.000	18.700
12	15.000	21.700
14	18.000	24.700
16	21.000	27.700
18	24.000	30.700
20	27.000	33.700
22	30.000	36.700
24	33.000	39.700

GENERAL TOLERANCE		鉅創科技有限公司 TRONTEK TECHNOLOGY CO., LTD. TITLE: 3.0mm POWER CONNECTOR SMT Type With Fixed Tabs
X±	X± 1°	
X± 0.30	X±	
XX± 0.20	XX±	
XXX± 0.10	XXX±	

CUSTOMER DRAWING		PART NO. TS312WR-S-XXXX	DWG. NO. 20130514
APPROVED	CHECKED:	DRAWN:	SCALE: 1:1
Kevin	Paul	frank	mm
			SHEET: 1 / 1
			A