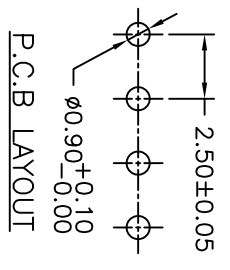
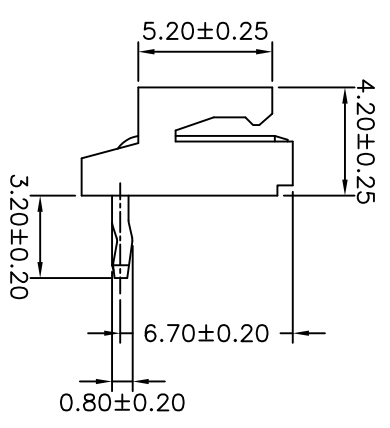
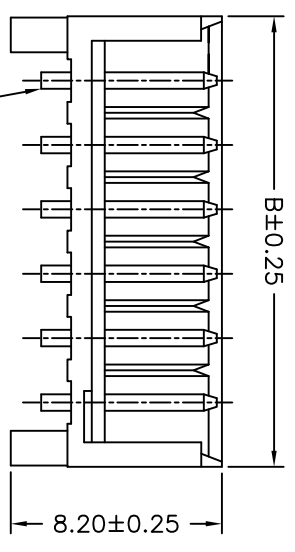
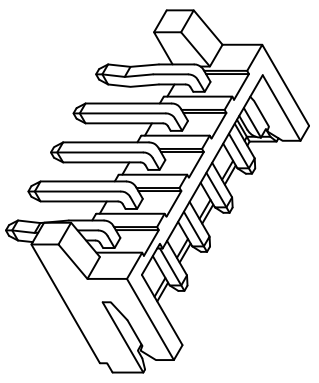
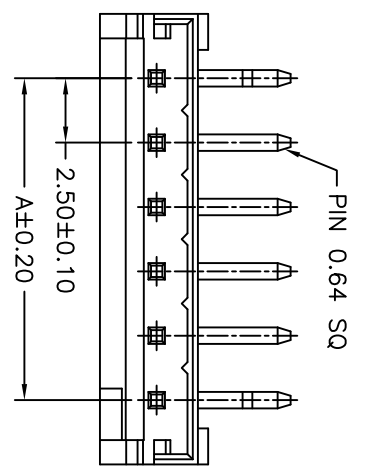


REV.	ECN NO.	LOCATIONS	DESCRIPTION	DATE	CHANGER

Material:
 * Insulation: Nylon 66 UL 94V-0
 Color Nature(White)
 * Contact: Brass



Ordering Information & Dimensions

PART NO.	Dimensions	
	A	B
TS252WR-02T0	2.50	7.50
TS252WR-03T0	5.00	10.00
TS252WR-04T0	7.50	12.50
TS252WR-05T0	10.00	15.00
TS252WR-06T0	12.50	17.50
TS252WR-07T0	15.00	20.00
TS252WR-08T0	17.50	22.50
TS252WR-09T0	20.00	25.00
TS252WR-10T0	22.50	27.50
TS252WR-11T0	25.00	30.00
TS252WR-12T0	27.50	32.50
TS252WR-13T0	30.00	35.00
TS252WR-14T0	32.50	37.50
TS252WR-15T0	35.00	40.00

Ordering Code:

TS252WR - X X X X
 ① Series No.
 ② No. of Circuits
 ③ Plating option:
 T = 3.05μm(120μ") Min. Tin
 over 0.76μm(30μ") Nickel
 ④ Packing 0=Bag

- ① Series No.
- ② No. of Circuits
- ③ Plating option:
T = 3.05μm(120μ") Min. Tin
over 0.76μm(30μ") Nickel
- ④ Packing 0=Bag

GENERAL TOLERANCE		TITLE:	
X±	X*± 1°	鍍創科技有限公司	
X± 0.30	X*±	TRONTEK TECHNOLOGY CO., LTD.	
.XX± 0.20	XX*±	WAFER 2.50mm(0.98") RIGHT ANGLE	
XXX± 0.10	XXX*±		
CUSTOMER DRAWING		PART NO.	DWG. NO.
		TS252WR-XXXXX	20120814
APPROVED	CHECKED:	DRAWN:	SCALE:
Paul	Paul	sunny	1:1
		mm	SHEET: 1 / 1
			A