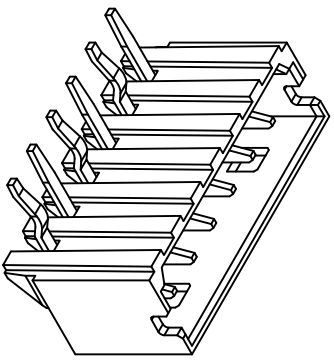
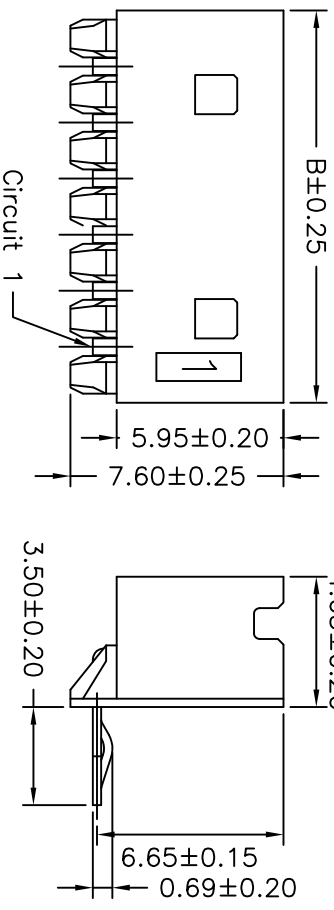
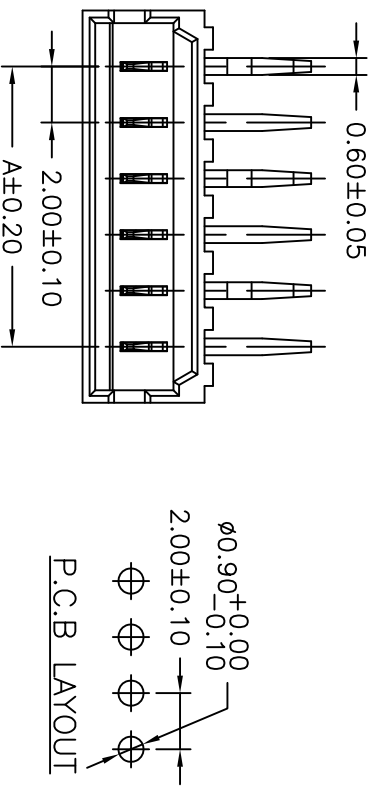


REV.	ECH. NO.	LOCATIONS.	DESCRIPTION	DATE	CHANGER



SPECIFICATIONS
 Current Rating: 2A AC,DC
 Voltage Rating: 125V AC,DC
 Temperature Range: -25°C ~ +85°C
 Contact Resistance: 20mΩ Max.
 Insulation Resistance: 1000MΩ Min.
 Withstanding Voltage: 800V AC/minute
 Pin Material: Phosphor Bronze/Tin-plated
 Material: Nylon 66,UL94V-0
 Pantone Color: 4685C

P.C.B LAYOUT



Circuits	Dimensions	
	A	B
2	2.00	6.00
3	4.00	8.00
4	6.00	10.00
5	8.00	12.00
6	10.00	14.00
7	12.00	16.00
8	14.00	18.00
9	16.00	20.00
10	18.00	22.00
11	20.00	24.00
12	22.00	26.00
13	24.00	28.00
14	26.00	30.00
15	28.00	32.00

Ordering Code:

TS202WR - X X X X X X
 ① ② ③ ④

- ① Series No.
- ② No. of Circuits
- ③ Plating option:
T = 3.05μm (120μ") Tin
over 0.76μm(30μ") Nickel
- ④ Other Option:
0 = Standard

GENERAL TOLERANCE		X±		X± 1°
		X± 0.30	X±	
		XX± 0.20	XX±	
		XXX± 0.10	XXX±	
CUSTOMER DRAWING		PART NO.	TS202WR-XXXX	
APPROVED		DRAWN:	Jeff	
MICO		CHECKED:	Paul	
		SCALE:	1:1	
		SHEET:	1 / 1	
		DWG. NO.	20120711	
		TITLE:	20pin Wire to Board Connector DIP RA	
		鉅創科技有限公司 TRONTEK TECHNOLOGY CO., LTD.		