

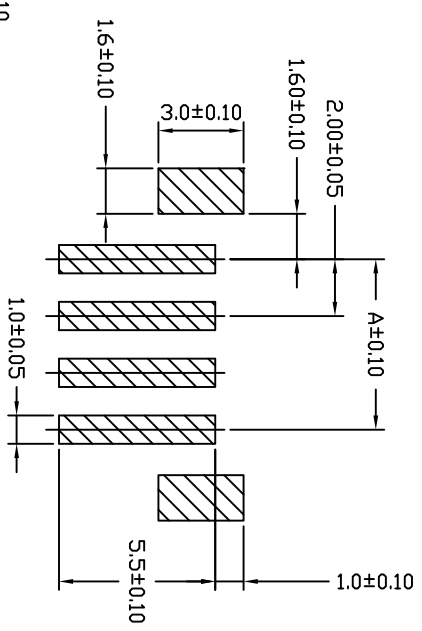
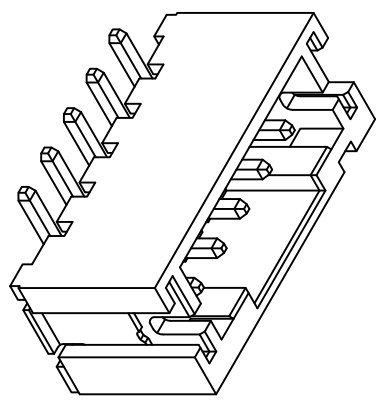
REV.	ECN NO.	LOCATIONS.	DESCRIPTION	DATE	CHANGER

SPECIFICATIONS
 Current Rating: 2A AC,DC
 Voltage Rating: 100V AC,DC
 Temperature Range: -25°C ~ +85°C
 Contact Resistance: 10mΩ Max.
 Insulation Resistance: 1000MΩ Min.
 Withstanding Voltage: 800V AC/minute
 Pin Material: Brass/Gold-flash
 Solder Tabs: Brass/Gold-flash
 Material: Nylon 6T,UL94V-0
 Color: Natural(Beige)

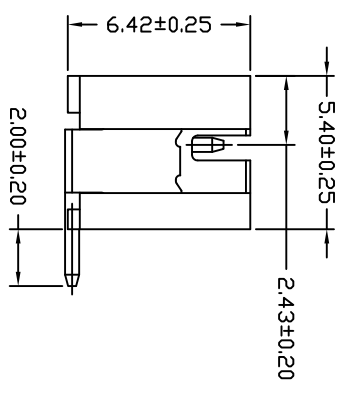
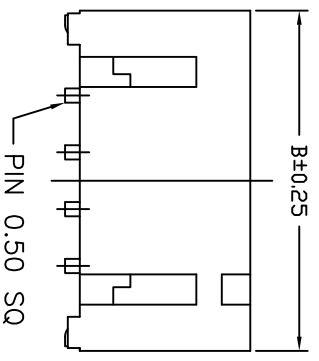
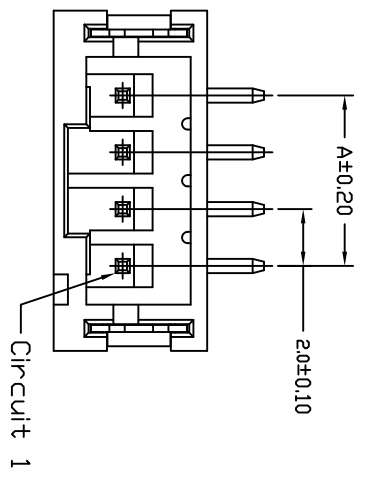
Ordering Code:

TS201WV-S - X X X X X
 ① Series No.
 ② No. of Circuits
 ③ Plating: T = 3.05um(120u") Min. Tin over
 1.27um(50u") Nickel(Matite Tin Finish)

④ Packing Options: A = Tape & Reel with Pad
 C = Tube Packing without Pad



PCB LAYOUT



Ordering Information & Dimensions

PART NO.	Dimensions	
	A	B
TS201WV-S-02TX	2.00	8.00
TS201WV-S-03TX	4.00	10.00
TS201WV-S-04TX	6.00	12.00
TS201WV-S-05TX	8.00	14.00
TS201WV-S-06TX	10.00	16.00
TS201WV-S-07TX	12.00	18.00
TS201WV-S-08TX	14.00	20.00
TS201WV-S-09TX	16.00	22.00
TS201WV-S-10TX	18.00	24.00
TS201WV-S-11TX	20.00	26.00
TS201WV-S-12TX	22.00	28.00
TS201WV-S-13TX	24.00	30.00
TS201WV-S-14TX	26.00	32.00
TS201WV-S-15TX	28.00	34.00
TS201WV-S-16TX	30.00	36.00

鉅創科技有限公司
 TRONTEK TECHNOLOGY CO., LTD.

TITLE: 2.00mm PITCH 180° WAFER-SMT TYPE

GENERAL TOLERANCE	
X±	X*± 1°
X± 0.30	X*±
X± 0.20	X*±
.XXX± 0.10	.XXX*±

APPROVED	CHECKED:	DRAWN:	SCALE:	SHEET:
Paul	Paul	sunny	6:1	1 / 1
PART NO. TS201WV-S-XXXX			DATE:	FIG.:
CUSTOMER DRAWING			20120418	A