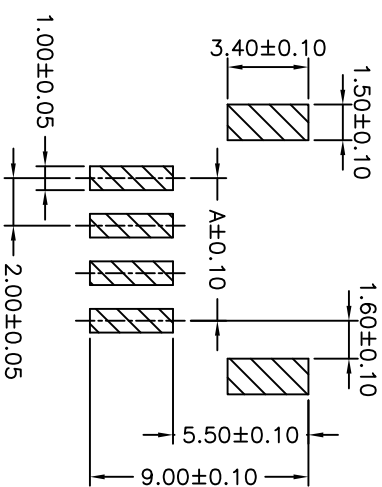
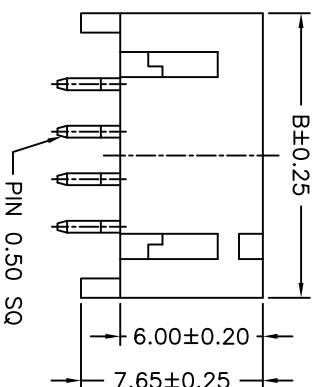
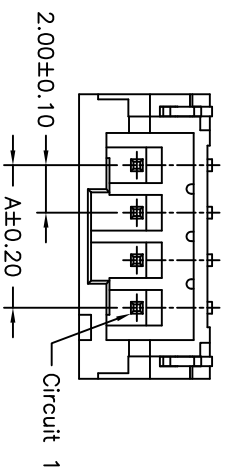
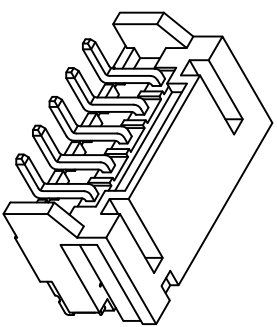
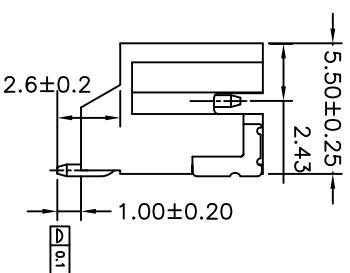


REV.	ECN NO.	LOCATIONS.	DESCRIPTION	DATE	CHANGER



PCB LAYOUT



SPECIFICATIONS

Current Rating: 2A AC,DC
Voltage Rating: 100V AC,DC
Temperature Range: -25°C ~ +85°C
Temperature Range: -25°C ~ +85°C
Contact Resistance: 10mΩ Max.
Insulation Resistance: 1000MΩ Min.
Withstanding Voltage: 800V AC/minute
Pin Material: Brass/Gold-flash
Solder Tabs: Brass/Gold-flash
Material: Nylon 6T, UL94V-0
Color: Natural(Beige)

Ordering Code:

① Series No.
② No. of Circuits
③ Plating:
④ Packing Options:

TS201WR-S-X X X X X
① T = Tin plated over 1.27um(30u") Nickel
② G = Gold Flash Tin over 1.27um(30u") Nickel
③ T = Tin plated over 1.27um Nickel
④ A = Tape & Reel with Pad
C = Tube Packing without Pad

Ordering Information & Dimensions

PART NO.	Dimensions	
	A	B
TS201WR-S-02XX	2.00	8.00
TS201WR-S-03XX	4.00	10.00
TS201WR-S-04XX	6.00	12.00
TS201WR-S-05XX	8.00	14.00
TS201WR-S-06XX	10.00	16.00
TS201WR-S-07XX	12.00	18.00
TS201WR-S-08XX	14.00	20.00
TS201WR-S-09XX	16.00	22.00
TS201WR-S-10XX	18.00	24.00
TS201WR-S-11XX	20.00	26.00
TS201WR-S-12XX	22.00	28.00
TS201WR-S-13XX	24.00	30.00
TS201WR-S-14XX	26.00	32.00
TS201WR-S-15XX	28.00	34.00
TS201WR-S-16XX	30.00	36.00

鉅創科技有限公司
TRONTEK TECHNOLOGY CO.,LTD.

2.00mm WIRE TO BOARD RA SMT

GENERAL TOLERANCE	
X±	X*± 1°
X± 0.30	X*±
X± 0.20	XX*±
XXX± 0.10	XXX*±

PART NO. TS201WR-S-XXXX

DWG NO. 20130412

APPROVED alex
CHECKED: alex
DRAWN: sunny

SCALE: 1:1
SHEET: 1 / 1

DATE: 20130412
DRAWN BY: sunny
CHECKED BY: alex
APPROVED BY: alex