

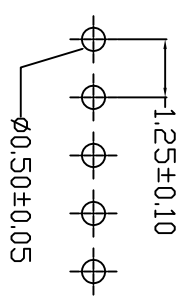
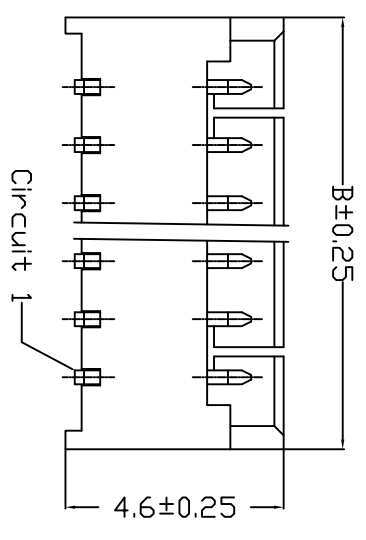
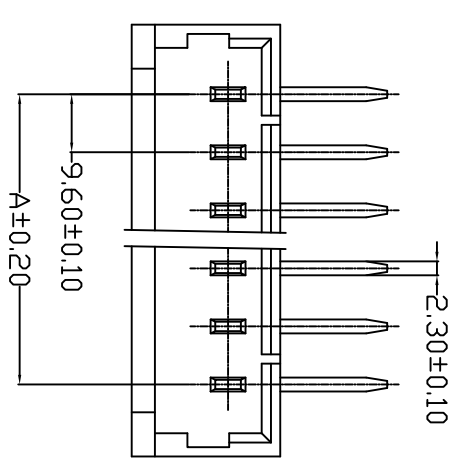
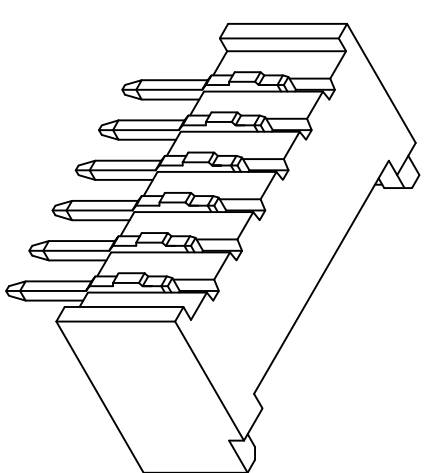
| REV. | ECN NO. | LOCATIONS. | DESCRIPTION | DATE | CHANGER |
|------|---------|------------|-------------|------|---------|
|      |         |            |             |      |         |

**SPECIFICATIONS**  
Pin Material: Phosphor Bronze/Tin-plated  
Material: Nylon 6T, UL94V-0

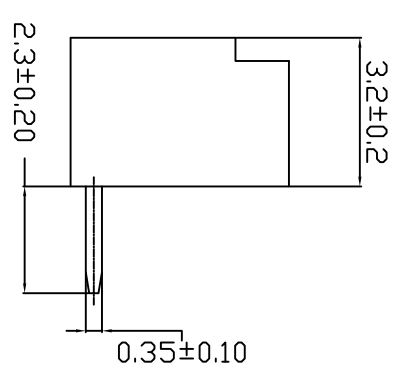
**Ordering Code:**

TS120WR - X X X X X  
① ② ③ ④

- ① Series No.
- ② NO. OF CIRCUITS: 02 TO 15
- ③ PLATING OPTION: T= Tin Over Nickel plated
- ④ OPTION: 0= STANDARD



**P.C.B. LAYOUT**



**Ordering Information & Dimensions**

| PART NO.     | Dimensions |       |
|--------------|------------|-------|
|              | A          | B     |
| TS120WR-02T0 | 1.25       | 4.25  |
| TS120WR-03T0 | 2.50       | 5.50  |
| TS120WR-04T0 | 3.75       | 6.75  |
| TS120WR-05T0 | 5.00       | 8.00  |
| TS120WR-06T0 | 6.25       | 9.25  |
| TS120WR-07T0 | 7.50       | 10.50 |
| TS120WR-08T0 | 8.75       | 11.75 |
| TS120WR-09T0 | 10.00      | 13.00 |
| TS120WR-10T0 | 11.25      | 14.25 |
| TS120WR-11T0 | 12.50      | 15.50 |
| TS120WR-12T0 | 13.75      | 16.75 |
| TS120WR-13T0 | 15.00      | 18.00 |
| TS120WR-14T0 | 16.25      | 19.25 |
| TS120WR-15T0 | 17.50      | 20.50 |

|                   |        |                                  |  |                |  |
|-------------------|--------|----------------------------------|--|----------------|--|
| GENERAL TOLERANCE |        | TITLE:                           |  | DRAWING NO.    |  |
| X±                | X*± 1° | 1.25MM(.049") RIGHT ANGLE HEADER |  | 20121215       |  |
| X± 0.25           | X*±    | PART NO. TS120WR-XXXX            |  | SCALE: 5:1     |  |
| .XX± 0.15         | .XX*±  | CUSTOMER DRAWING                 |  | SHEET: 1 / 1   |  |
| .XXX± 0.08        | .XXX*± | APPROVED Kevin                   |  | CHKD: [Symbol] |  |
| CHECKED: Paul     |        | DRAWN: Frank                     |  | DATE: [Symbol] |  |

鉅創科技有限公司  
TRONTEK TECHNOLOGY CO., LTD.

20121215

SCALE: 5:1  
SHEET: 1 / 1