

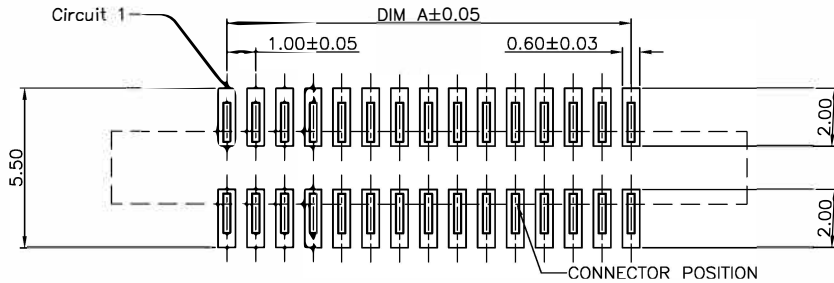
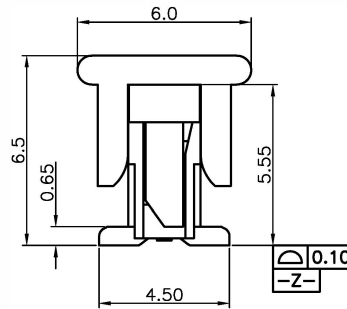
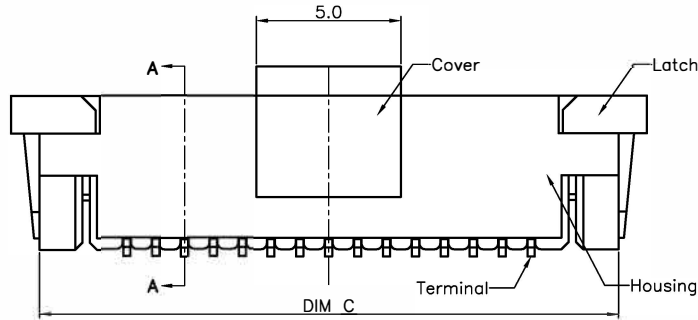
- Note:**
- Material:**
 - Housing: thermoplastic high temp.UL94V-0; Color: natural.
 - Latch: thermoplastic high temp.UL94V-0; Color: black.
 - Terminal: copper alloy.
 - Cover: thermoplastic high temp.UL94V-0; Color: black.
 - Finish:**
 - Terminal: Underplating: Au/matt Tin overall.
 - Fitting Nail: Underplating: matt Tin overall.
 - Product must comply RoHS specification.
 - Product No:**

TFP618 - X X X X -00
 ① ② ③ ④ ⑤

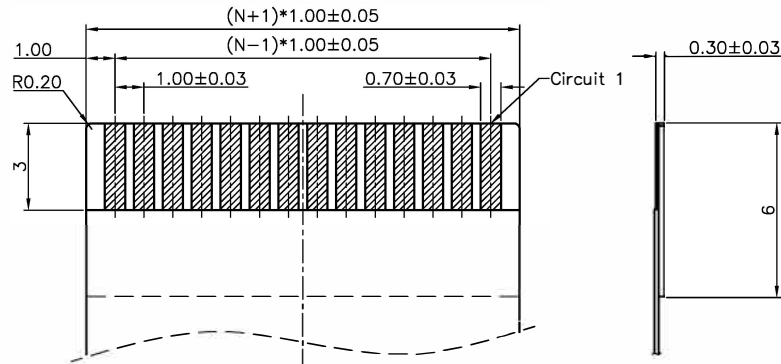
- ① Series No.
- ② No. of Circuits
- ③ Plating code:
 T= 3.05µm(120µ") Min. Tin
 over 0.76µm(30µ") Nickel
- ④ Packing option: A= Tape & Reel
 C= Tube Packing

⑤ REMARKS
 HF:Halogen free

CKTS	DIM A	DIM B	DIM C	DIM D
4	3.00	5.10	9.05	11.00
5	4.00	6.10	10.05	12.00
6	5.00	7.10	11.05	13.00
7	6.00	8.10	12.05	14.00
8	7.00	9.10	13.05	15.00
9	8.00	10.10	14.05	16.00
10	9.00	11.10	15.05	17.00
11	10.00	12.10	16.05	18.00
12	11.00	13.10	17.05	19.00
13	12.00	14.10	18.05	20.00
14	13.00	15.10	19.05	21.00
15	14.00	16.10	20.05	22.00
16	15.00	17.10	21.05	23.00
17	16.00	18.10	22.05	24.00
18	17.00	19.10	23.05	25.00
19	18.00	20.10	24.05	26.00
20	19.00	21.10	25.05	27.00
21	20.00	22.10	26.05	28.00
22	21.00	23.10	27.05	29.00
23	22.00	24.10	28.05	30.00
24	23.00	25.10	29.05	31.00
25	24.00	26.10	30.05	32.00
26	25.00	27.10	31.05	33.00
27	26.00	28.10	32.05	34.00
28	27.00	29.10	33.05	35.00
29	28.00	30.10	34.05	36.00
30	29.00	31.10	35.05	37.00



RECOMMENDED P.C.B PATTERN LAYOUT



RECOMMENDED FPC/FFC DIMENSION

CUSTOMER DRAWING	
Tolerance Unspecified	Size: A4
0.0 ±0.15 0° ±5°	Unit: MM
0.00 ±0.10 0°0 ±3°	Scale: 1:1
0.000 ±0.05 0°00 ±1°	Page: 1 OF 1
Project View	Rev: A

ALL LINK CONN. TECHNOLOGY CORP.

Product Name:
 1.0Pitch H=5.6 FPC ZIF S/A TypeK SMT CONN

Product No:
 TFP618-XXXX-00

Designer: Allan 03/23/11
 Checked: Approved: