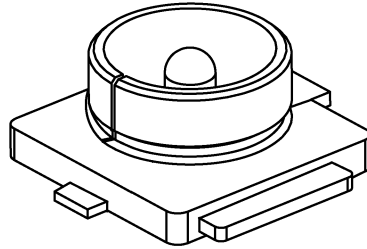
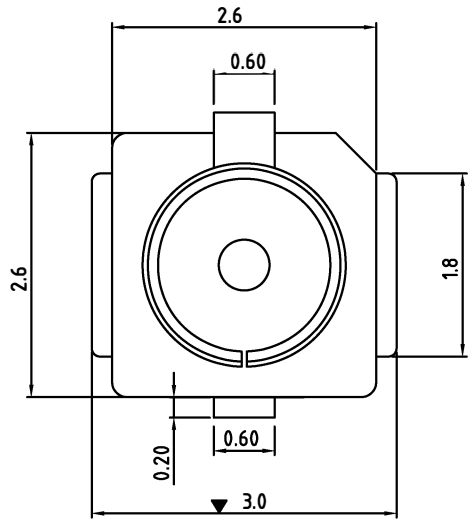
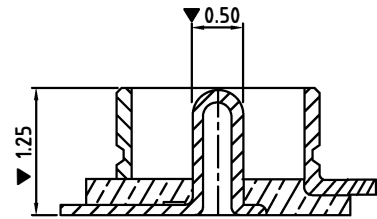


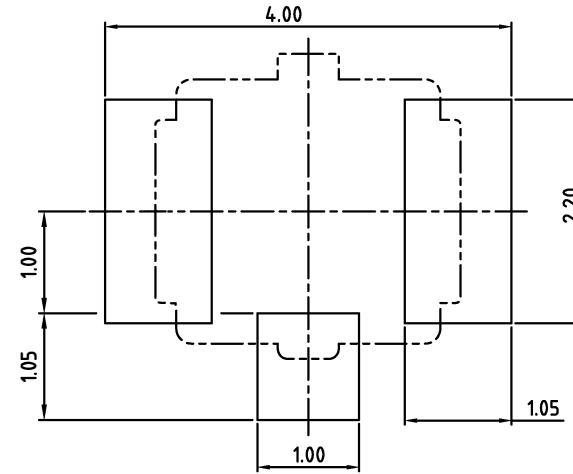
REV.	ECN NO.	LOCATIONS	DESCRIPTION	DATE	CHANGER



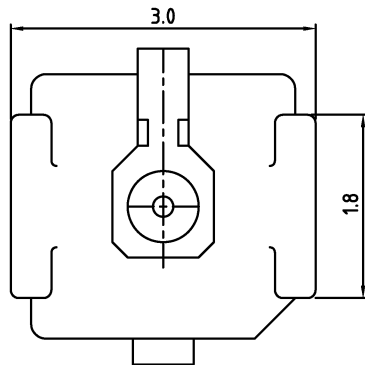
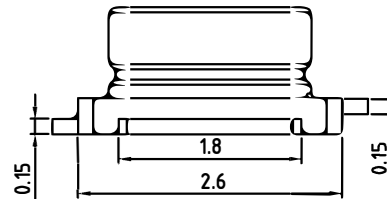
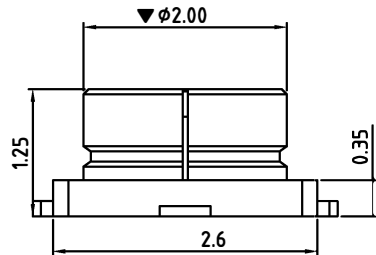
- NOTE: UNLESS OTHERWISE SPECIFIED
1. DIMENSION SHALL BE INTERPRETED PER ANSI Y14.5M-1994.
 2. DIMENSION MARKED WITH "▼" SHOULD SPECIFIED ON INSPECTION PLAN.
 3. CONTACT RETENTION FORCE: 0.4 N MIN.
 4. CONTACT MATERIAL: COPPER ALLOY.
 5. INSULATOR: HIGH TEMPERATURE PLASTIC UL94 V-0.
 6. CONTACT FINISH: GOLD FLASH 1-3μ" ON MATING AREAR & PAD.
ALL OVER 50μ" Min. NICKEL UNDER PLATED.
 7. ALL MATERIAL MEET RoHS SPECIFICATION AND IN CONFORMITY WITH REACH & SVHC STANDARD STIPULATIONS.



SECTION DIAGRAM



RECOMMENDED PCB LAYOUT



RoHS

ITEM	PART NUMBER	DESCRIPTION	Q'TY
3	RF101-004	METAL SHELL, GOLD/BRIGHT GOLD FLASH	1
2	RF101-003	CENTER CNT, GOLD/BRIGHT GOLD FLASH	1
1	LCP-6130W	INSULATION, LCP+30%GF, IVORY, UL94V-0	1

GENERAL TOLERANCE		ALL LINK CONN. TECHNOLOGY CORP.	
X ± 0.30	X* ± 1*	TITLE: RF HEADER (U.FL)	
X ± 0.15	X* ±		
XX ± 0.10	XX* ±		
XXX ±	XXX* ±		
CUSTOMER DRAWING		PART NO. TRF-101-002	DWG NO. 20140512
APPROVED Kevin	CHECKED: Paul	DRAWN: frank	UNIT: mm
SCALE: 1:1		SHEET: 1 / 1	
PROJ.		REV. B	