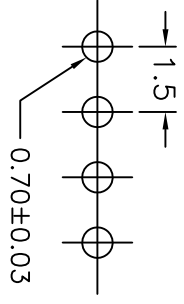
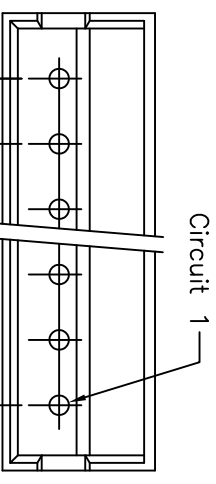
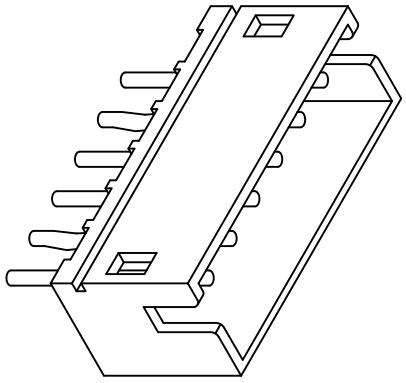
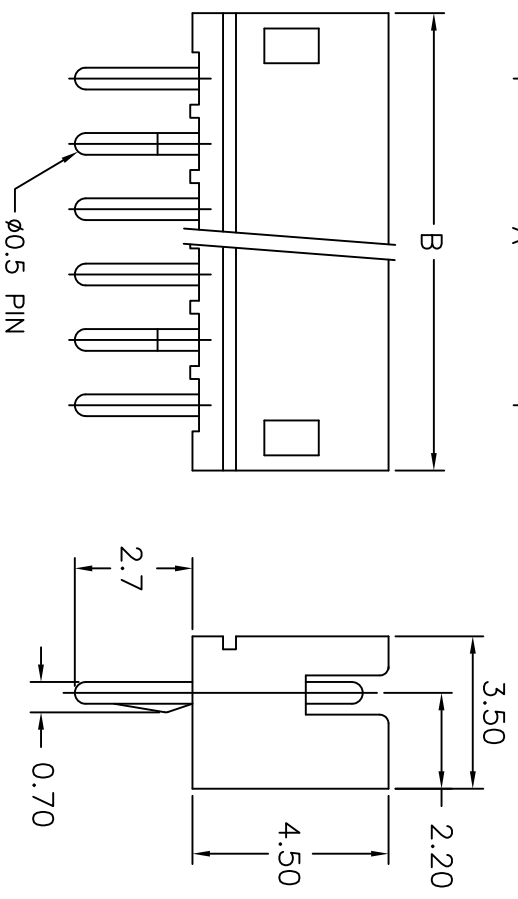


REV./ECN NO.	LOCATIONS.	DESCRIPTION	DATE	CHANGER

Material :
SPECIFICATIONS
 Pin Material: Brass/Tin-plated
 Material: Nylon 66,UL94V-0



P.C.B. LAYOUT



- ① Series No.
- ② NO. OF CIRCUITS: 02 TO 13
- ③ PLATING OPTION: T= Tin Over Nickel plated
- ④ OPTION: 0= STANDARD

Ordering Information & Dimensions

PART NO.	Dimensions	
	A	B
TS150WV-02T0	1.50	4.50
TS150WV-03T0	3.00	6.00
TS150WV-04T0	4.50	7.50
TS150WV-05T0	6.00	9.00
TS150WV-06T0	7.50	10.50
TS150WV-07T0	9.00	12.00
TS150WV-08T0	10.50	13.50
TS150WV-09T0	12.00	15.00
TS150WV-10T0	13.50	16.50
TS150WV-11T0	15.00	18.00
TS150WV-12T0	16.50	19.50
TS150WV-13T0	18.00	21.00

GENERAL TOLERANCE		鉅創科技有限公司 FRONTTEK TECHNOLOGY CO., LTD.	
X±	X*± 1°	TITLE: 1.5MM STRAIGHT HEADER	
X± 0.25	X*±	PART NO: TS150WV-XXXX	
.XX± 0.15	.XX*±	DRAWING: EMILY	
.XXX± 0.10	.XXX*±	SCALE: 5:1	
CUSTOMER DRAWING		DWG. NO: 20120326	
APPROVED	CHECKED:	SHEET: A	
Alan	Alan	A	