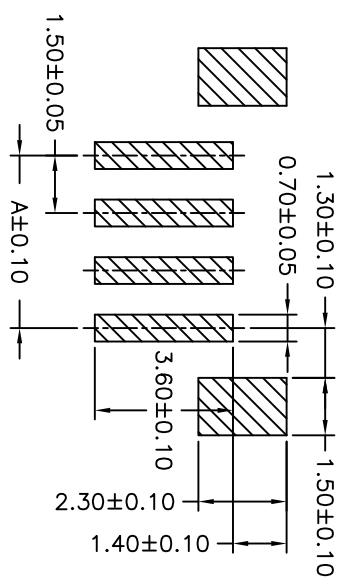
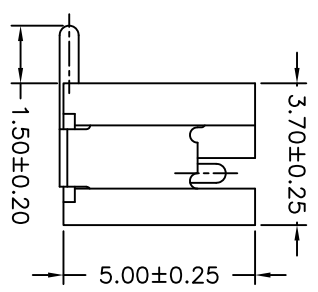
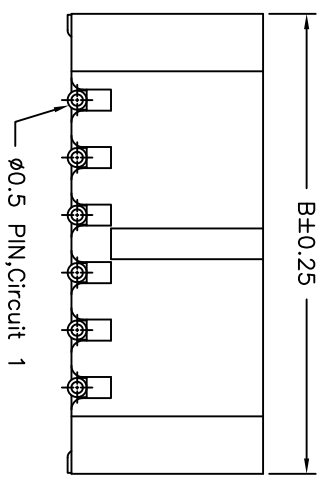
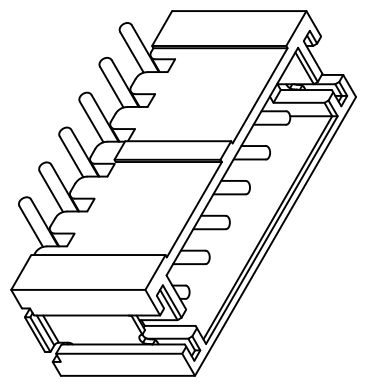
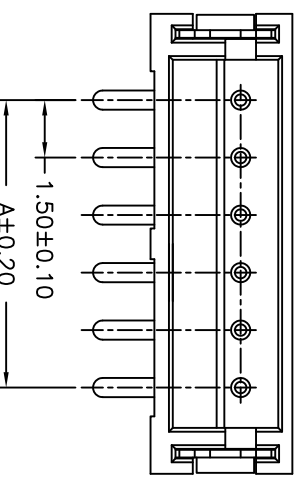


REV.	ECN NO.	LOCATIONS.	DESCRIPTION	DATE	CHANGER

**Ordering Code:**

TS150WV-S-X X X X X  
 ① ② ③ ④

- ① Series No.
- ② NO. OF CIRCUITS: 02 TO 13
- ③ PLATING OPTION:  
 T= Tin over Nickel plated  
 G= Gold flash plated over nickel
- ④ OPTION: C= STANDARD(TUBE PACKING)  
 A= TAPE & REEL PACKING



Circuits	Dimensions	
	A	B
2P	1.50	6.00
3P	3.00	7.50
4P	4.50	9.00
5P	6.00	10.50
6P	7.50	12.00
7P	9.00	13.50
8P	10.50	15.00
9P	12.00	16.50
10P	13.50	18.00
11P	15.00	19.50
12P	16.50	21.00
13P	18.00	22.50

GENERAL TOLERANCE		X±		X*± 1°	
X± 0.30		X*±			
XX± 0.20		XX*±			
XXX± 0.10		XXX*±			
CUSTOMER DRAWING		PART NO.		DRAWN BY	
TS150WV-S-XXXX		FRANK		M/M	
TITLE:		1.5MM(.059") STRAIGHT SMT TYPE HEADER		SCALE: 1:1	
DRAWN BY		FRANK		SHEET: 1 / 1	
CHECKED BY		PAUL		DATE	
APPROVED		KEVIN		CHANGER	

鉅創科技有限公司  
 TRONTEK TECHNOLOGY CO., LTD.

20121219

