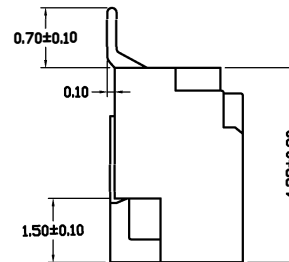
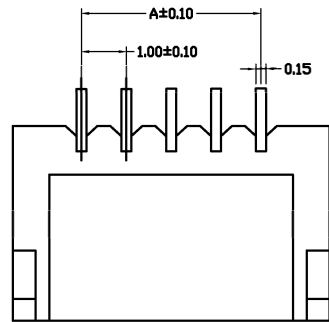


REV.	ECN NO.	LOCATIONS.	DESCRIPTION	DATE	CHANGER



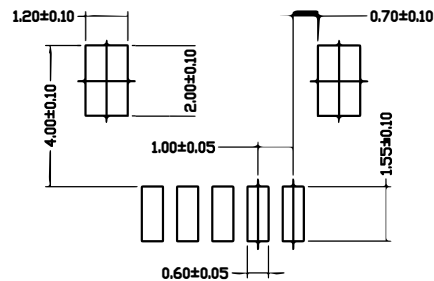
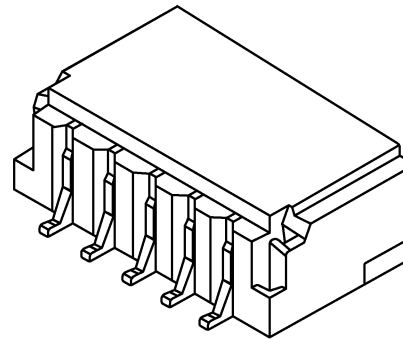
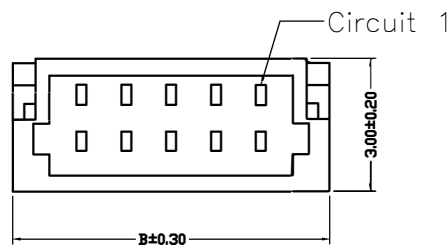
■ Specifications(规格):

- Voltage rating(额定电压): 50V AC / DC
- Current rating(额定电流): 1A AC / DC
- Withstanding voltage(耐压值): 500V AC/minute
- Temperature range(工作温度): -25°C~+85°C
- Insulation resistance(绝缘电阻): ≥100MΩ
- Contact resistance(接触电阻): ≤20mΩ
- After environmental testing(环境测试后): ≤30mΩ

Poles	Dimensions (mm)	
	A	B
02	1.00	4.05
03	2.00	5.05
04	3.00	6.05
05	4.00	7.05
06	5.00	8.05
07	6.00	9.05
08	7.00	10.05
09	8.00	11.05
10	9.00	12.05
11	10.00	13.05
12	11.00	14.05
13	12.00	15.05
14	13.00	16.05
15	14.00	17.05
16	15.00	18.05
17	16.00	19.05
18	17.00	20.05
19	18.00	21.05
20	19.00	22.05
24	23.00	26.05

Ordering Code:  
**TS105WR -S- X X X X -00**  
 ① ② ③ ④ ⑤

- ① Series No.
- ② Contacts: 02 to 20
- ③ Plating:  
T= 100μ" Min. Tin Plated  
over 50μ" Nickel
- ④ A= Reel packing  
C= Tube packing
- ⑤ Process Options:  
HF=For Lead Free IR Processes and Halogen-Free



Recommad PCB Layout

GENERAL TOLERANCE		ALL LINK CONN. TECHNOLOGY CORP.	
X±	X*± 1°	TITLE: 1.00MM(.079") WIRE TO BOARD CONNECTOR	
.X± 0.30	X±		
.XX± 0.20	.XX*±		
.XXX± 0.10	.XXX*±		
CUSTOMER DRAWING		PART NO. TS105WR-S-XXXX -00	DWG NO. 20120416
APPROVED Paul	CHECKED: mico	DRAWN: frank	UNIT: mm
SCALE: 1:1		SHEET: 1 / 1	
PROJ.		REV. B	