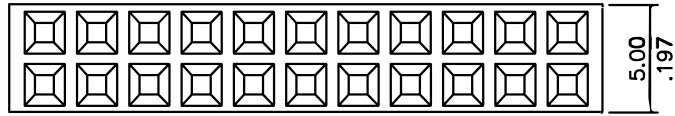
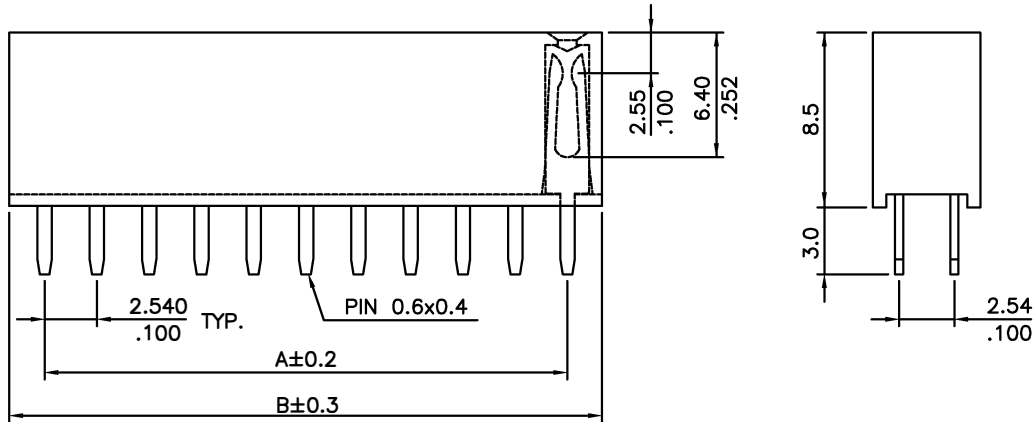


REV.	ECN NO.	LOCATIONS	DESCRIPTION	DATE	CHANGER



Material:

- * Insulation: Glass filled polyester UL 94V-0
- * Contact: Brass



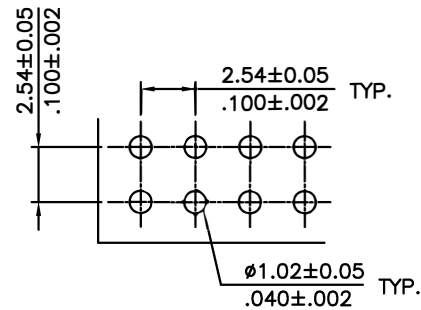
Ordering Code:

W64M8X0D-X X 0 B

① ② ③ ④ ⑤

- ① Series No.
- ② Plating code:
G= Gold flash plated
over 1.27 um(50 u") Nickel
- ③ No. of Contact: 04 to 80
- ④ OTHER OPTIONS:
0=STANDART
- ⑤ Color: B= Black

A = 2.54 * No. of Spaces
 B = A + 3.0
 * Available in 4 through 80 circuits



Recommended P.C. Board Layout

GENERAL TOLERANCE		ALL LINK CONN. TECHNOLOGY CORP.	
X±	X°± 1°		
X± 0.30	.X°±	TITLE: FEMALE HEADER 2.54mm(1.00") DUAL ROW DIP	
.XX± 0.20	.XX°±		
.XXX± 0.10	.XXX°±	PART NO. W64M8G0D-XX0B	DWG NO. 20120323
CUSTOMER DRAWING		APPROVED Paul	CHECKED: Paul
DRAWN: sunny	UNIT: mm / inch	SCALE: 4:1	SHEET: X1